

**FULL STAINLESS STEEL
BAYONET RING, LIQUID FILLABLE**



Applications:

Pressure gauge is for industrial applications where the media or the environment contains chemically aggressive substances. The gauge is filled with liquid for dampen mechanical vibrations.

Specifications:

Nominal sizes:

40mm, 50mm, 63mm, 100mm, 150mm

Connection:

40mm: 1/8"PT 100mm: 3/8"PT
50mm, 63mm: 1/4"PT 150mm: 1/2"PT

Scale Range, according to EN 837-1/5

Pressure: 0-0.6 to 1000bar

Vacuum: -1bar to 0

Compound: -1 to 24bar

or other equivalent units of pressure or vacuum

Operating Temperature:

Ambient: -40°C to 60°C, medium: 200°C maximum

Material Specification:

Case : 304 stainless steel case and bayonet ring Window: toughened glass

Wetted parts: 316 stainless steel bourdon tube and connection, TIG welding between case and connection

Movement: 304 stainless steel

Standard filling: glycerin

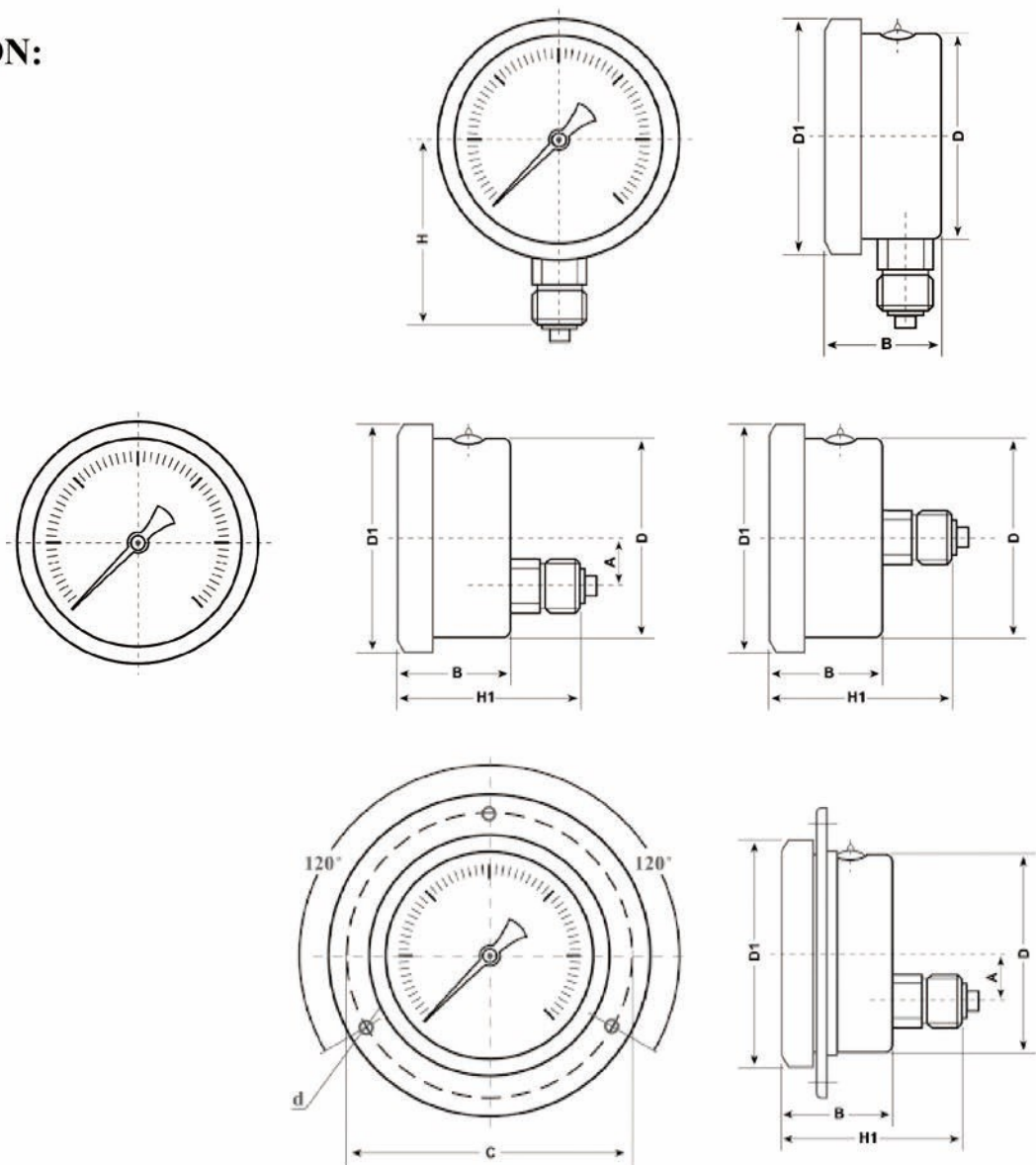
Options:

NPT, BSP or other process connection

Single dial range or other dial ranges

Silicone oil filling, polycarbonate window

DIMENSION:



DIAL SIZE	D	D1	B	H	A	H1	C	d
2.5"	Ø62	Ø69	30	55	--	54	Ø74	Ø3.5
4"	Ø99	Ø109	48	91	28	85	Ø118	Ø5

dimensions are approximate and can be changed without prior notice